



# **ISCOM2026 USER MANUAL**

**Raisecom Technology Co., Ltd  
(2005/08)**

## Contents

Preface .....	3
1. General Safety Instructions.....	4
1.2.1 General Safety Practices .....	5
1.2.2 Connection of AC Mains .....	5
1.2.3 Connection of DC Mains.....	5
2. Overview.....	7
3. Parameters .....	8
4. Structure and indicator lights.....	9
4.1. Front view and explanation .....	9
4.2. Rear view and explanation .....	10
5. Installation & Application .....	11
5.1. Before installation.....	11
5.2. Methods of installation.....	12
5.3. Connect to control platform .....	12
5.4. Connect to Ethernet .....	14
5.5. Making cable .....	14
5.6. Power Supply .....	15
6. Notes .....	17

## Preface

### Contents

This manual describes how to install ISCOM2026 Series Switch, the features and constitution modules of the device and functionality of each module. It provides a standard method of installation and cable specifications.

This manual is for hardware installation, and additional configuration operations refer to *configuration guide*.

### Terminology explanation

10BASE-T	Brief terminology of IEEE 802.3 for LANs, operates at 10Mbps based on Manchester coding and uses category-3 or better twisted-pair cable.
100BASE-TX	Brief terminology of IEEE 802.3 for LANs, operates at 100Mbps based on 4B/5B coding and uses category-5 twisted-pair cable.
auto-negotiation	Auto-Negotiation detects the various modes that exist in the device on the other end of the wire, the Link Partner, and advertises its own abilities to automatically configure the highest performance mode of interoperation.
Full-duplex	Transmission of data in two directions simultaneously
Half-duplex	Data can be transmitted in both Rx and Tx directions on a signal carrier, but not at the same time.
RJ-45	An eight-wire connector used in twister pair wire
MDI	Medium dependent interface, provides the physical and electrical connection to the cabling medium.
MDIX	MDI crossover, a version of MDI that enables connection between like devices.

# 1. General Safety Instructions

The following instructions serve as a general guide for the safe installation and operation of telecommunications products. Additional instructions, if applicable, are included inside the manual.

## 1.1 Safety Symbols



*Warning*

This symbol may appear on the equipment or in the text. It indicates potential safety hazards regarding product operation or maintenance to operator or service personnel.



Danger of electric shock! Avoid any contact with the marked surface while the product is energized or connected to outdoor telecommunication lines.



Protective earth: the marked lug or terminal should be connected to the building protective earth bus.



*Warning*

Some products may be equipped with a laser diode. In such cases, a label with the laser class and other warnings as applicable will be attached near the optical transmitter. The laser warning symbol may be also attached.

Please observe the following precautions:

- Before turning on the chassis with optic module, make sure that the fiber optic cable is intact and is connected to the transmitter.
- Do not attempt to adjust the laser drive current.
- Do not use broken or unterminated fiber-optic cables/connectors or look straight at the laser beam.
- The use of optical devices with the equipment will increase eye hazard.
- Use of controls, adjustments or performing procedures other than those specified herein, may result in hazardous radiation exposure.

**ATTENTION:** The laser beam may be invisible!

Always observe standard safety precautions during installation, operation and maintenance of this product. Only qualified and authorized service personnel should carry out adjustment, maintenance or repairs to this product. No installation, adjustment,

maintenance or repairs should be performed by either the operator or the user.

All the extension slots are not hot-swappable

Before operating modules in the electricity conditions, please be noticed that optical modules shall be connected with optical fiber wires or shield with optical module cover for fear that laser light harms to operator's eyes.

## 1.2 Handling Energized Products

### 1.2.1 General Safety Practices

Do not touch or tamper with the power supply when the power cord is connected. Line voltages may be present inside certain products even when the power switch (if installed) is in the OFF position or a fuse is blown. For DC-powered products, although the voltages levels are usually not hazardous, energy hazards may still exist.

Before working on equipment connected to power lines or telecommunication lines, remove jewelry or any other metallic object that may come into contact with energized parts.

Unless otherwise specified, all products are intended to be grounded during normal use. Grounding is provided by connecting the mains plug to a wall socket with a protective earth terminal. If an earth lug is provided on the product, it should be connected to the protective earth at all times, by a wire with a diameter of 18 AWG or wider. Rack-mounted equipment should be mounted only in earthed racks and cabinets.

Always make the ground connection first and disconnect it last. Do not connect telecommunication cables to ungrounded equipment. Make sure that all other cables are disconnected before disconnecting the ground.

### 1.2.2 Connection of AC Mains

Make sure that the electrical installation complies with local codes.

Always connect the AC plug to a wall socket with a protective ground.

Always connect the power cord first to the equipment and then to the wall socket. If a power switch is provided in the equipment, set it to the OFF position. If the power cord cannot be readily disconnected in case of emergency, make sure that a readily accessible circuit breaker or emergency switch is installed in the building installation.

### 1.2.3 Connection of DC Mains

Unless otherwise specified in the manual, the DC input to the equipment is floating in reference to the ground. Any single pole can be externally grounded.

Due to the high current capability of DC mains systems, care should be taken when connecting the DC supply to avoid short-circuits and fire hazards.

DC units should be installed in a restricted access area, i.e. an area where access is authorized only to qualified service and maintenance personnel.

Make sure that the DC supply is electrically isolated from any AC source and that the installation complies with the local codes.

Before connecting the DC supply wires, ensure that power is removed from the DC circuit. Locate the circuit breaker of the panel board that services the equipment and switch it to the OFF position. When connecting the DC supply wires, first connect the ground wire to the corresponding terminal, then the positive pole and last the negative pole. Switch the circuit breaker back to the ON position.

A readily accessible disconnect device that is suitably rated and approved should be incorporated in the building installation.

### 1.3 Preventing Electrostatic Discharge Damage

Modules which can be plugged into chassis are sensitive to damage from static electricity. Conversely, static voltages as high as 35,000V can be generated just by handling plastic or foam packing material, or by sliding assemblies across plastic and carpets. Not exercising the proper electrostatic discharge (ESD) precautions can result in intermittent or complete component failures. To minimize the potential for ESD damage, observe the following guidelines:

- Always use an ESD-preventive antistatic wrist strap or ankle strap and ensure that it makes good skin contact.
- When removing or installing a component, make sure the equipment end of your antistatic strap leash is connected to the ESD connection sockets on the front of the chassis or to a bare metal surface on the chassis. Avoid contact between the component and your clothing. The wrist strap only protects the component from ESD voltages on the body; ESD voltages on your clothing can still cause component damage.
- Always place a card component-side-up on an antistatic surface, in an antistatic card rack, or in a static shielding bag. If you are returning the item to the factory, immediately place it in a static shielding bag.
- Handle Modules by the metal card carrier edges only; Avoid touching the board or any connector pins.

## 2. Overview

ISCOM2026 Serial Switch is an access Ethernet switch used in layer 2 of operation networks. It provides 24 10/100M-Tx Ethernet ports and 2 extension slots.

### 3. Parameters

ISCOM2026 Serial Switch has 24 10/100M-TX Ethernet ports, 2 100BASE-FX extension slots and status indicator lights. And this device is used as access switch in layer 2.

System power consumption < 20W.

Dimension of ISCOM2026 is: 1U (H)\* 442mm (W)\*266mm (D), and it can be installed in 19 inches cabinet or on the table.

Working requirements:

Environment temperature: 0° ~ 45°

Storage temperature: - 40° ~ 60°

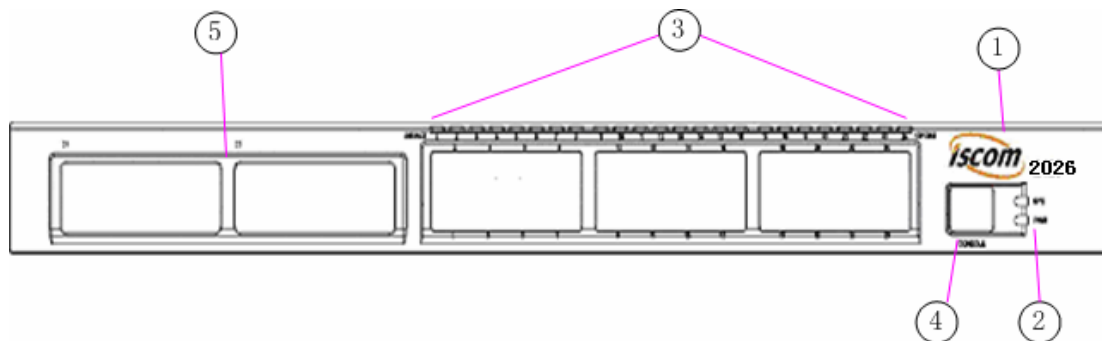
Environment humidity: 10%-90%.



## 4. Structure and indicator lights

### 4.1. Front view and explanation

On the front panel of ISCOM2026, there are 24 10/100M Ethernet ports, 1 CONSOLE port, 2 extension slots and status indicator lights. See in the following figure:



Explanation:

- (1) Switch logo and type: ISCOM 2026
- (2) Status indicator lights, SYS and PWR (there is the label on the panel)

Indicator	Color	Status	Indication
SYS	Green	ON	System is initializing when just powered on
		Flicking	System works normally
		OFF	Software fault
PWR	Green	ON	System powered on
		OFF	System powered off

- (3) 24 10/100M Ethernet ports and the relative indicator lights, every port has 2 lights: LNK/ACT and 10/100 (refer to the panel label)

Indicator	Color	Status	Indication
LNK/ACT	Green	ON	The relative port is in Link up status
		Flicking	The relative port is receiving or transmitting data
		OFF	The relative port is in Link down status
10/100	Green	ON	The rate of relative port is 100M
		OFF	Link up status, the rate of relative port is 10M

- (4) CONSOLE port
- (5) 2 extension slots

## 4.2. Rear view and explanation

There is a AC connector or DC connector on the rear panel of ISCOM2026 as the following figure:



Explanation:

- (1) AC connector or DC connector
- (2) Power supply switch

## 5. Installation & Application

### 5.1. Before installation

✧ **Check whether you need install sub card**

✓ **Type of sub card**

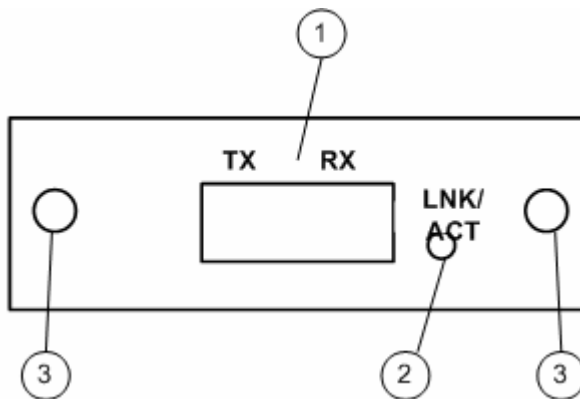
Present sub card types:

Types	Function
SC200-FE-S1(REV.B)	100M Ethernet optical sub card, transmission distance is 20km

✓ **Sub card: SC200-FE-S1(REV.B)**

SC200-FE-S1 (REV.B) provides a 100M optical interface, and the port number can be 25 or 26. The valid transmission distance is 20km.

View and explanation of SC200-FE-S1:



- (1) 100M Ethernet optical interface.
- (2) Ethernet optical port indicator light
- (3) Fixing bolt for installation

Light	Color	Status	Index
LNK/ACT	Green	ON	Ethernet port is Link up
		Flicking	Ethernet port is transmitting or receiving data

		OFF	Ethernet port is Link down
--	--	-----	----------------------------

### ✓ Install sub-card

Please follow the following steps when install sub-cards:

- Check and make sure that device is not powered on.
- Uncover SLOT cover board.
- Insert the sub-card along the mental rail into SLOT
- Insert the sub-card tightly, then tighten the two screws to fix the sub-card
- Connect the sub-card by fiber

## 5.2. Methods of installation

### ✓ Environmental requirements

There are heat exhausting inlets on both sides of ISCOM2026. To maintain ambient airflow there must be some space around the two sides or airflow path. The heat exhausting inlets should not be blocked in case that the airflow can not flow.

### ✓ Install onto the cabinet

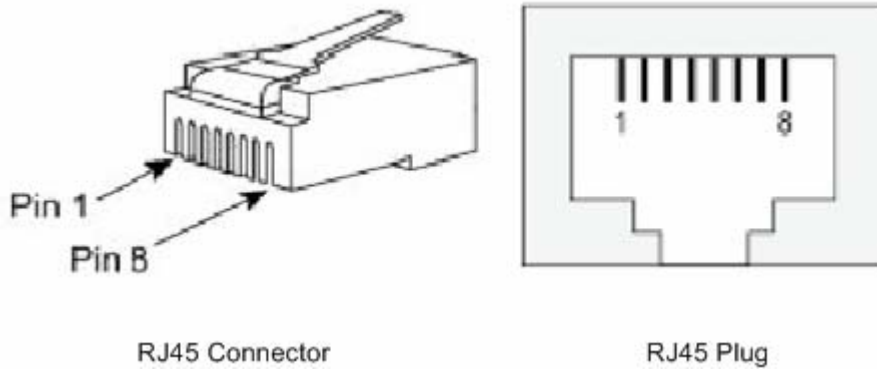
Install the bracket onto the device and then fix the bracket on cabinet by the 4 screws to make the device as stable as possible.

## 5.3. Connect to control platform

ISCOM2026 provides RS-232 port in form of RJ45 as CONSOLE port. Connect the CONSOLE port to PC serial port by cable, then configure, control the device through the PC control platform.

- Signal definition of CONSOLE port.

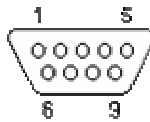
ISCOM2026 provides RS-232 port in form of RJ45 as CONSOLE port, the pin serial number of RJ45 plug and connector are showing as follows:



Signaling and Pinouts of ISCOM2026 CONSOLE port:

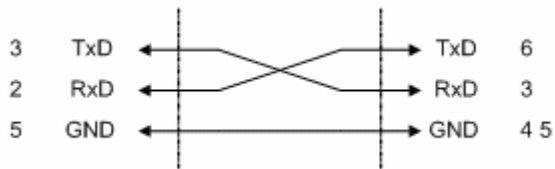
Pin number	Signal	Type
3	RxD	In
6	TxD	Out
4、5	GND	
1、2、7、8	N.C	

■ Signaling and Pinouts of PC serial port:



Pin number	Signal	Type	Pin number	Signal	Type
1	CD		6	DSR	
2	RxD	In	7	RTS	
3	TxD	Out	8	CTS	
4	DTR		9	RI	
5	GND				

■ CONSOLE connection and parameters:



PC serial interface                      ISCOM2026 CONSOLE

Parameters of simulation program on PC terminal are as follows:

- Baud rate – 9600
- Data bit– 8
- Stop bit– 1
- Bit parity– None
- Traffic control– None

## 5.4. Connect to Ethernet

ISCOM2026 provides 24 10/100M auto-negotiation ports (extension slots are not included); the default configuration is auto-negotiation enable.

When enable auto-negotiation, the ISCOM2026 Ethernet ports have the function of Auto-MDI/MDIX, they can change the MDI and MDIX signals automatically. In any case of using MDI port or MDIX port, and of using straight-through cable or crossover cable, the device can always works normally.

Pin serial number of RJ45 plug and connector is available in *signal definition of CONSOLE port*.

Signaling and Pinouts of MDI and MDIX are in the following table:

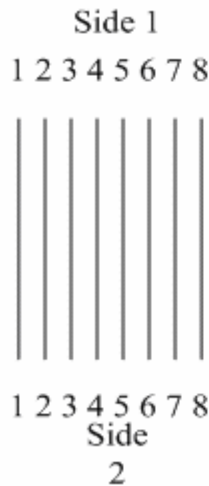
Pin number	MDI-X signal	MDI signal
1	RD+	TD+
2	RD-	TD-
3	TD+	RD+
6	TD-	RD-
4、5、7、8	N.C	N.C

When disable auto-negotiation of ISCOM2026 Ethernet ports, they are MDI-X ports and can be connected to PC which has MDI port though straight-through cable.

## 5.5. Making cable

Pin serial number of RJ45 plug and connector is available in *signal definition of CONSOLE port*

- Straight through cable



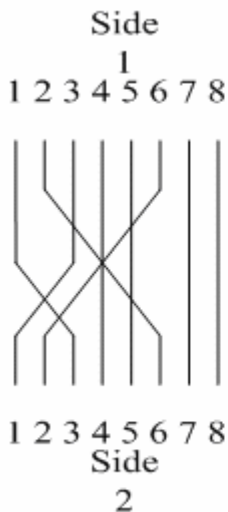
Side 1

1=white/orange  
 2=orange  
 3=white/green  
 4=blue  
 5=white/blue  
 6=green  
 7=white/brown  
 8=brown

Side 2

1=white/orange  
 2=orange  
 3=white/green  
 4=blue  
 5=white/blue  
 6=green  
 7=white/brown  
 8=brown

- 100M crossover cable



Side 1

1=white/orange  
 2=orange  
 3=white/green  
 4=blue  
 5=white/blue  
 6=green  
 7=white/brown  
 8=brown

Side 2

1=white/green  
 2=green  
 3=white/orange  
 4=blue  
 5=white/blue  
 6=orange  
 7=white/brown  
 8=brown

## 5.6. Power Supply

- After install the device correctly following above steps, the device can be powered on.
- ON status of PWR indicator light means the system has been powered on.
- All the indicator lights on front panel of ON status means the system is self-checking and initializing.
- After self-check and initialization, the device starts to operate, and then the SYS light is flicking which means that system operates normally. Indicator lights of the 24 Ethernet ports indicate the status of ports (ON or OFF is according to port

configuration and connection).

- If the CONSOLE port is connected to PC and terminal software is configured correctly before system powered on, there will be user management interface on the PC screen, and then operation is available. (Specific operations are available in *software configuration guide*)



## 6. Notes

Only trained and qualified personnel should install, maintain, or install the parts of ISCOM2026. The device must be installed in the place where temperature and humidity can be controlled, meanwhile consider the electronic conductivity of surrounding materials. Extreme moisture may result in electrical shorts, and if too dry there may be fire. So there must be a suitable environment for the device.

- The power supply must be grounded to discharge the static electronics.
- There must be some space between device and the near electrical equipments.
- We recommend that outside device routing intersect with live wire to avoid long paralleling.
  
- Follow the guide strictly when installing.
- Do not install the device when your hands are wet or with a lot of sweat.
- Do not rebuild the device mechanically and electrically
- When install ISCOM2026 on the table, please do not put other thing onto it.

# **BROADBAND to RAISECOM**

@2005 Raisecom Technology Co., Ltd.

All trademarks are the property of their respective owners.

Technical information may be subject to change without prior notification.